

# Home Pool Table

Tavern-Style Pool Tables for the Home

Model # 8HP-88-AA, 8HP-88-CA, 8HP-93-AA, 8HP-93-CA

## Assembly Instructions

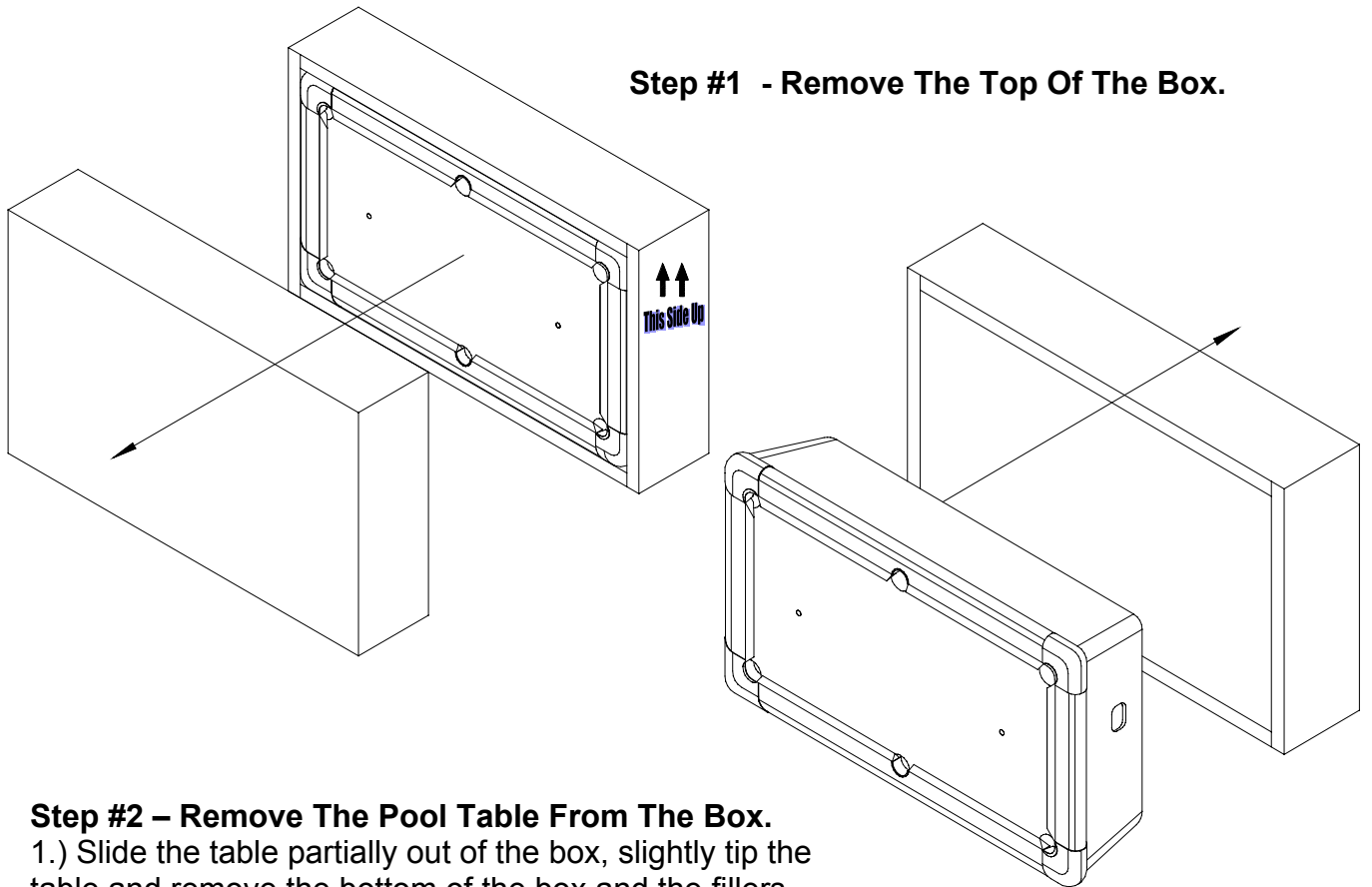
Thank you for purchasing a Shelti product. All of us at Shelti want you to be completely satisfied with your Home Pool Table, so feel free to contact us for help with the assembly of your product, Shelti parts, or other information you may require.

Tools Required:

1/2" Wrench

Level

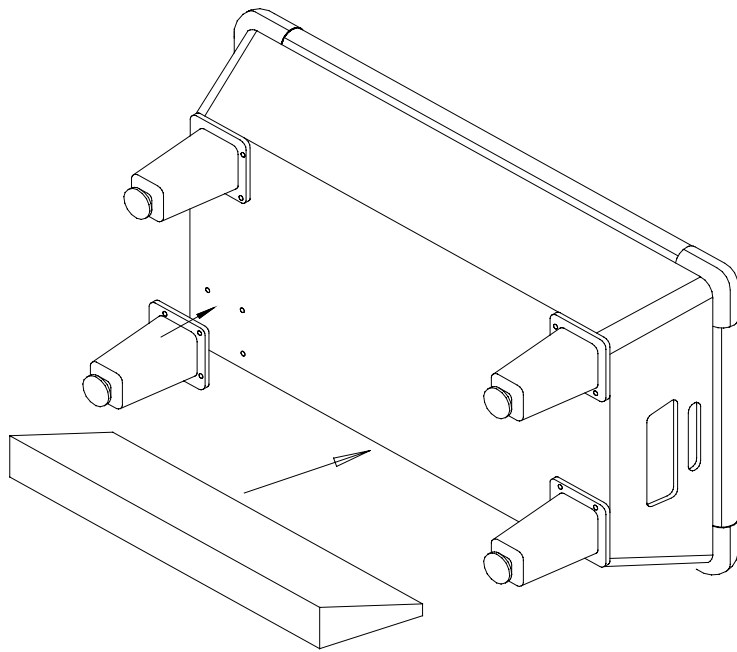
<u>Description</u>	<u>Part Number</u>	<u>Quantity</u>
Shelti Pool Table Leg Box	LBA-0-HM	1
Pool Table Leg Assembly	PX-LAA-0	4
Leg Bolts - 5/16-18x1 1/2"	301-0020-0	12
Pool Table Warranty Card	210-0063-0	1
8° Home Pool Table Assy. Instructions	210-0095-1	1



**Step #1 - Remove The Top Of The Box.**

**Step #2 – Remove The Pool Table From The Box.**

1.) Slide the table partially out of the box, slightly tip the table and remove the bottom of the box and the fillers.

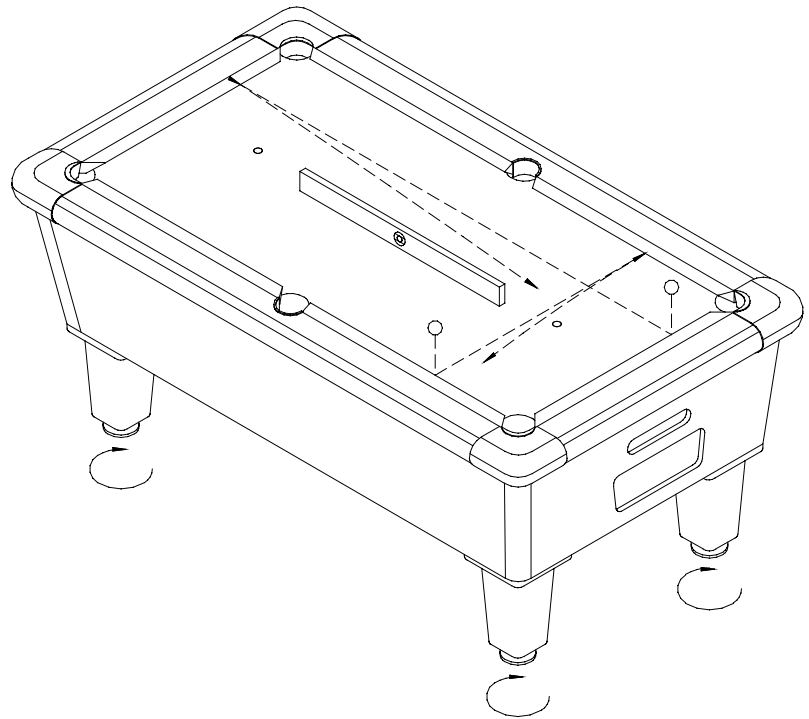


### Step #3 – Attach Legs

- 1.) Slide the box filler under the side of the pool table.
- 2.) Attach the legs to the bottom of the pool table using three leg bolts (1/2" wrench) per leg.
- 3.) Make sure that the leg levelers are screwed all of the way into the leg and slowly rotate the table over onto its four legs.

### Step #4 –Level The Pool Table

- 1.) Rough level the pool table by placing a level across, lengthwise, and diagonally into the four corners and raise or lower the appropriate leg leveler.
- 2.) Final level the pool table by dropping a ball onto the nose of the cushion rail and watch the drift of the ball as it comes to a stop. Raise or lower the appropriate leg leveler until the ball rolls true.



**Step #5 -** Complete the warranty card and return the self-mailing Registration Form to Shelti in the event of upgrades and/or product recalls.



333 Morton Street  
 Bay City, Michigan 48706  
 Phone: 989-893-1739  
 Fax: 989-893-1809  
 www.shelti.com  
 info@shelti.com



# Disassembly Instructions

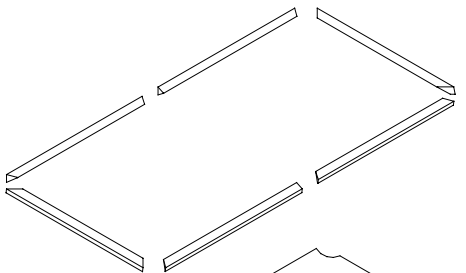
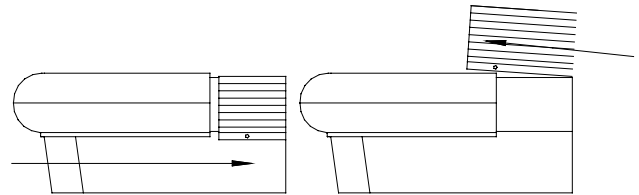
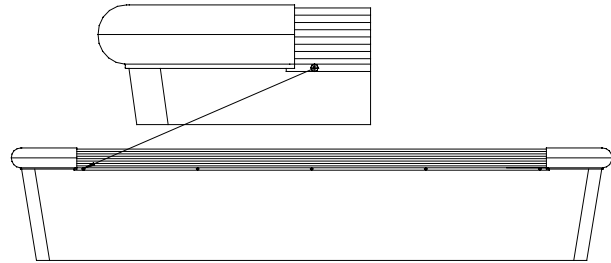
The Shelti home pool table is designed for disassembly in the event that it is not possible to move the assembled pool table into its final location. To disassemble follow the below instructions:

## Tools Required:

Sockets - 1/4", 3/8", 7/16", and 9/16"  
Phillips Screwdriver  
Regular Screwdriver

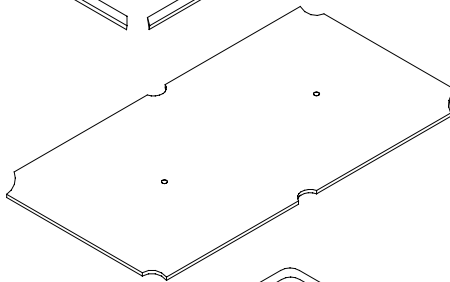
### Step #1 - Remove The Top Rail Molding

- 1.) Remove the Phillips head screws.
- 2.) Slide the molding all of the way in one direction.
- 3.) Lift the molding on one end and slide it in the opposite direction to remove the molding.

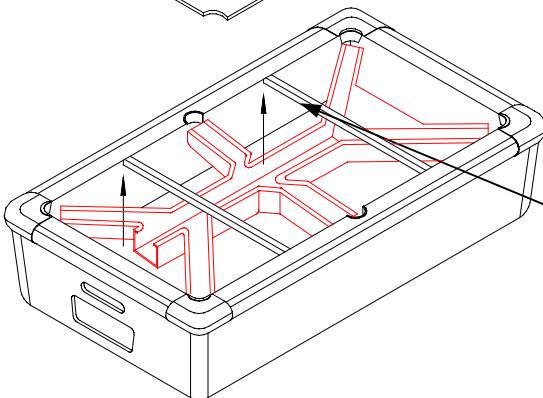


### Step #2 - Remove The Cushion Rails

- 1.) Remove the eighteen cushion rail bolts (3/8" socket) and cushion rails.

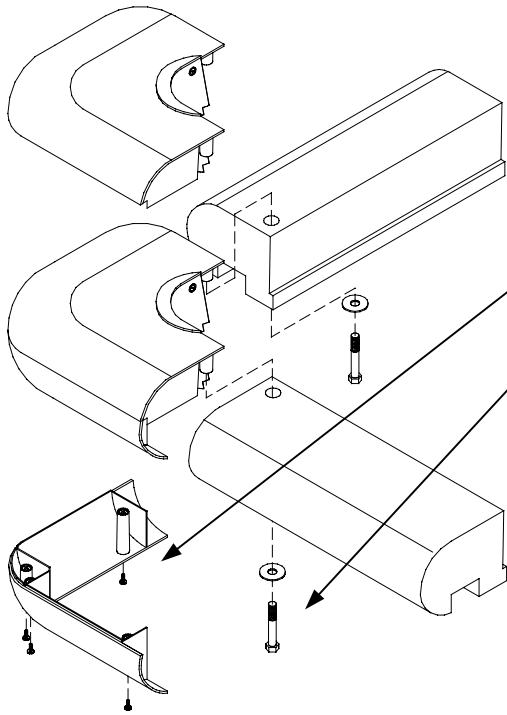


### Step #3 - Remove The Slate.



### Step #4 - Remove The Slate Supports

- 1.) Remove the four lag bolts (9/16" socket) and 2 - steel slate supports.

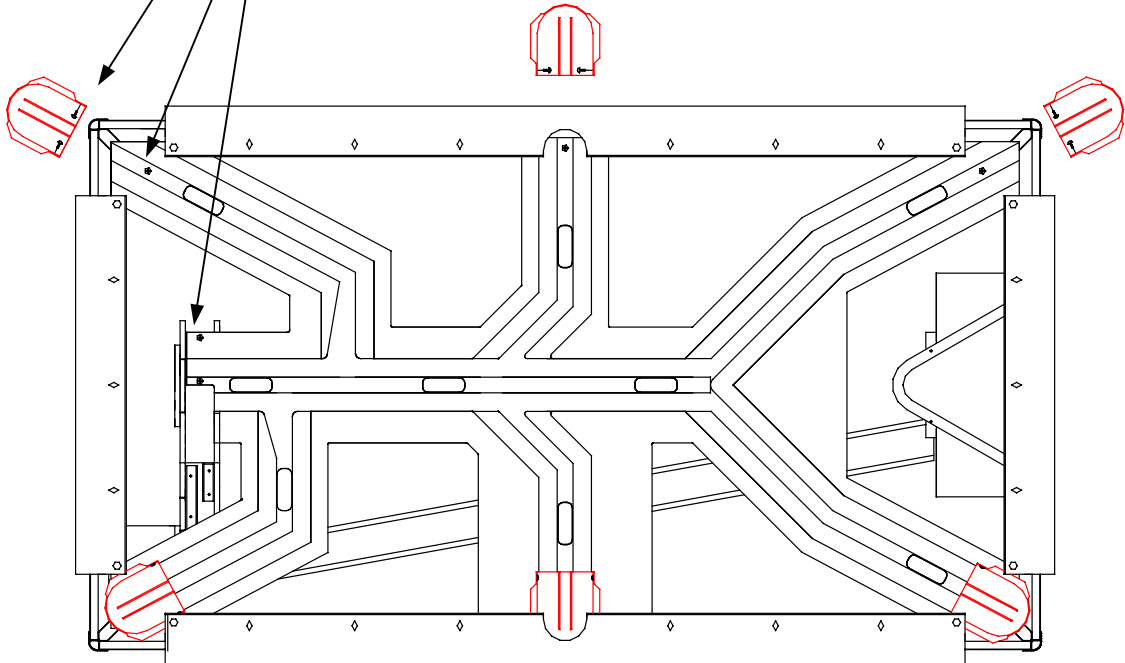


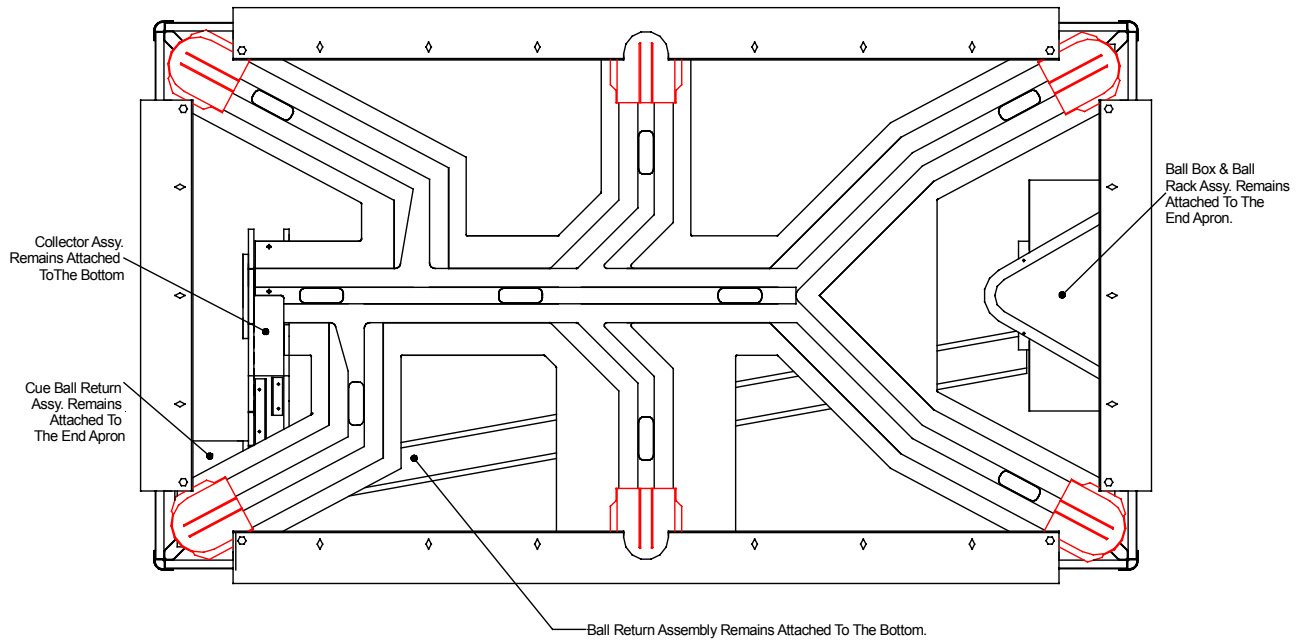
**Step #5 - Remove The Four Die Cast Corners.**

- 1.) Remove the four screws that hold the bottom of the corner to the top.
- 2.) Remove the two  $\frac{3}{8}$ " - 16 x 2- $\frac{1}{2}$ " hex head bolts (9/16" socket) and washers to remove the die cast corner from the top frame assembly.

**Step #6 - Remove Gulley Boots & Center Chute**

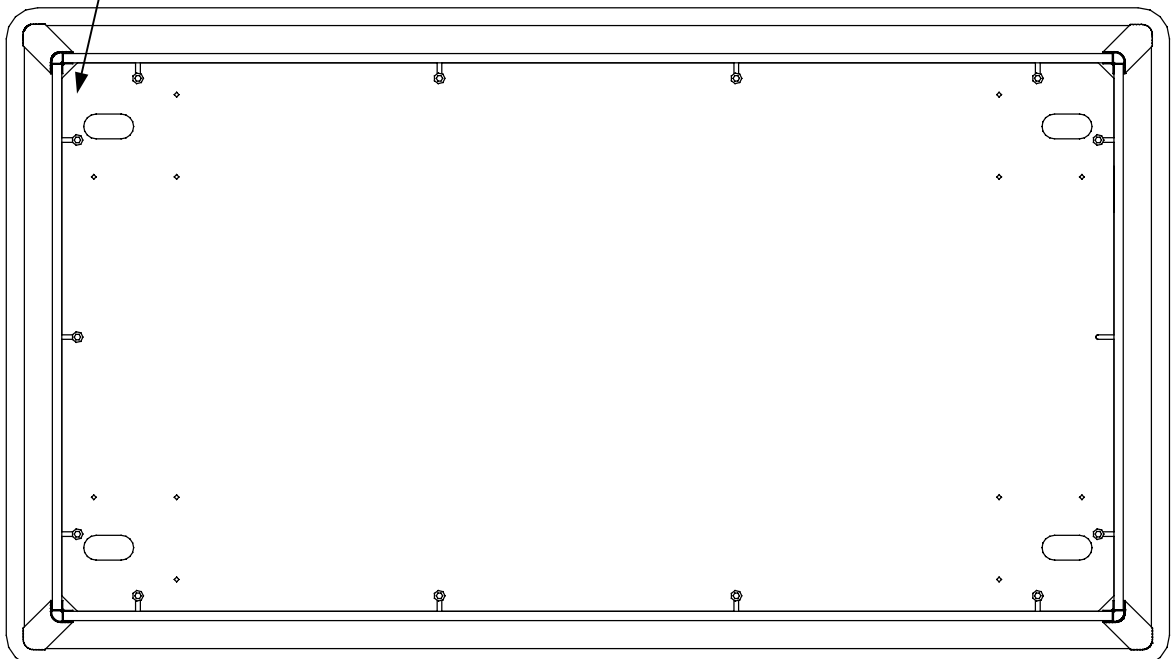
- 1.) Remove the gulley boot screws and 6 - gulley boots.
- 2.) Remove The Screws Holding The Center Chute. Do Not Remove The Center Chute At This Time.





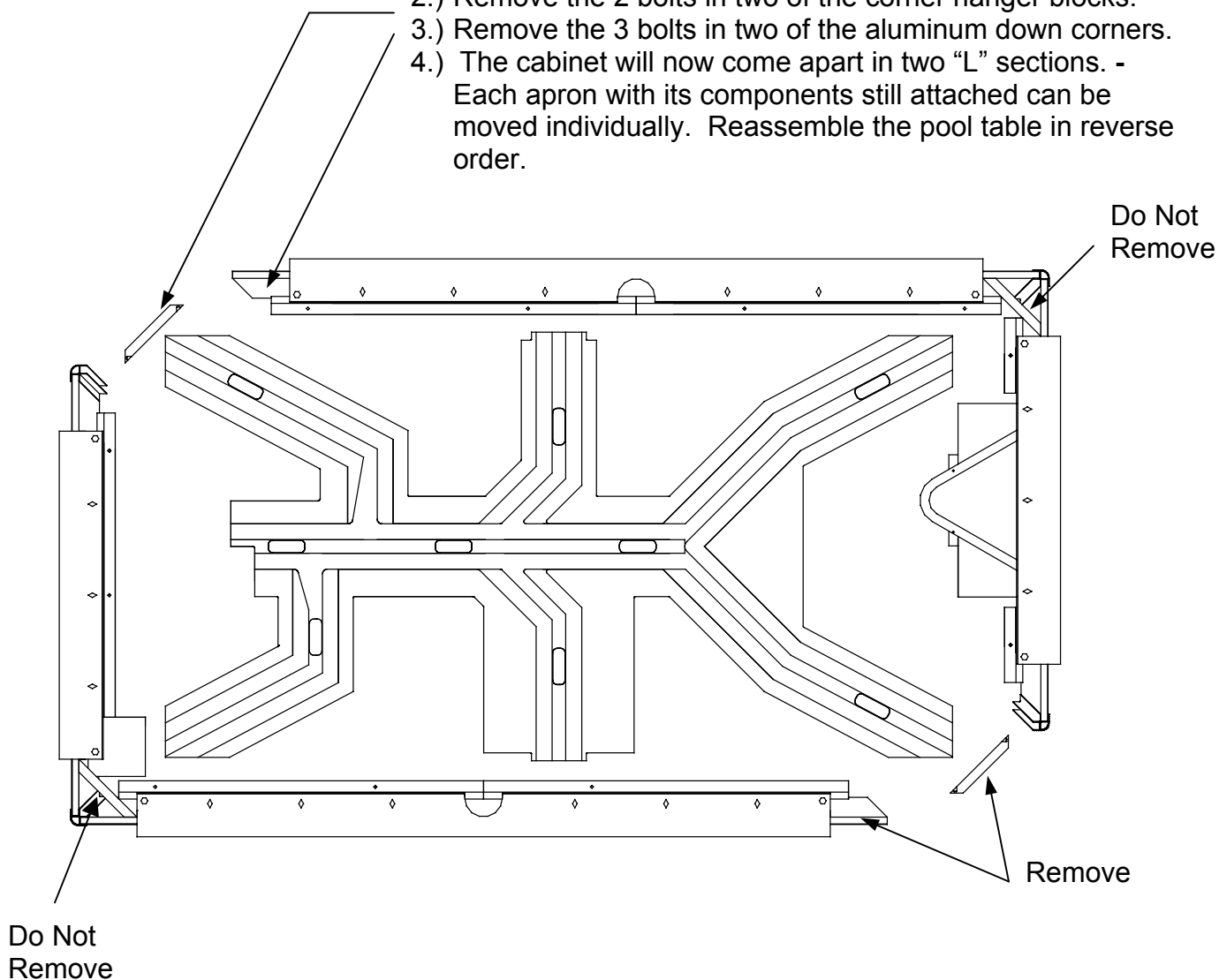
### Step # 7 – Remove The Bottom

- 1.) Carefully flip the pool table cabinet upside down.
- 2.) Remove the 13 – Bolts (7/16" socket) and washers from the bottom.
- 3.) Lift the bottom out of the pool table. **(Note: The End Collector / Cue Ball Separator Assembly And The Long Ball Return Assembly Should Remain Attached To The Bottom)**



### Step #8 – Final Disassembly Of The Pool Table Cabinet.

- 1.) Carefully flip the table right side up.
- 2.) Remove the 2 bolts in two of the corner hanger blocks.
- 3.) Remove the 3 bolts in two of the aluminum down corners.
- 4.) The cabinet will now come apart in two “L” sections. - Each apron with its components still attached can be moved individually. Reassemble the pool table in reverse order.



333 Morton Street  
Bay City, Michigan 48706  
Phone: 989-893-1739  
Fax: 989-893-1809  
www.shelti.com  
info@shelti.com

