

Digital Photo Frame Installation

The “Premium” model Gold Standard Games air hockey table has a digital photo frame (video monitor) which displays player and promotional information as an “attract” mode in between games. Upon coin-up, the monitor will display the current score.

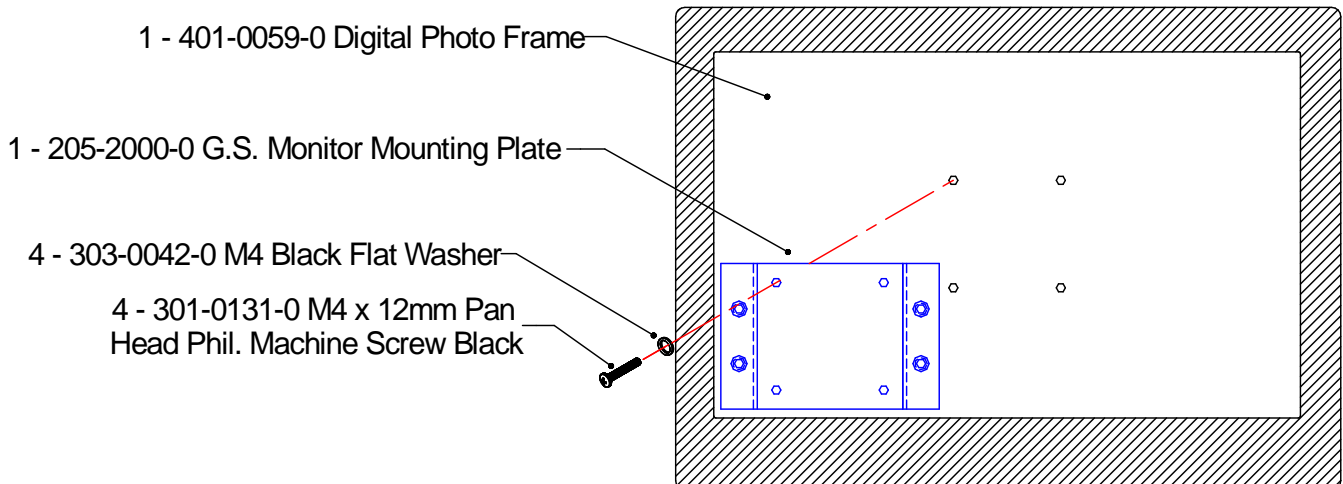
The monitor is customizable by the operator to display advertising, tournament/league information, and more. The screen “slides” must be in the form of a jpeg. New slides can be added via the SD card or flash drive which plugs into the digital photo frame. The monitor can display these slides directly from the plugged-in SD card or flash drive, or, the slides can be downloaded onto the memory card in the digital photo frame.

Gold Standard Games will periodically update and add new slides at our website, www.goldstandardairhockey.com. These slides will feature upcoming events of interest to your players, including state, National, and World air hockey championships. Go to goldstandardairhockey.com to download the latest slides, and be sure to add your email address to the email list under the “coin-op operators” section. You will then automatically receive an email notification of any updates or new slides that have been added.

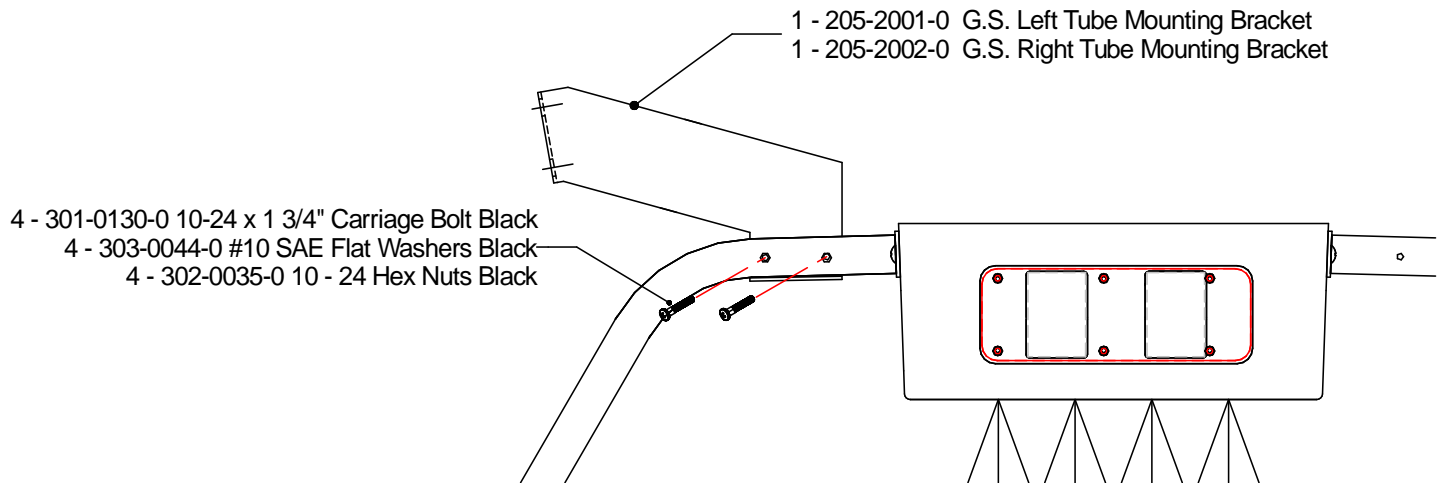
1.) Check the contents of the digital photo frame shipping box. Included should be the following components:

- 1 - 205-2000-0 G.S. Monitor Mounting Plate
- 1 - 205-2001-0 G.S. Right Tube Monitor Mounting Plate
- 1 - 205-2002-0 G.S. Left Tube Monitor Mounting Plate
- 4- 301-0130-0 10-24 x 1 3/4” Carriage Bolt Black
- 4 – 301-0131-0 M4 x 12mm Pan Head Phillips Machine Screw Black
- 4 – 301-0129-0 ¼-20 x ½” Hex Hd. Black Bolt
- 4 – 302-0035-0 10 – 24 Nex Nuts Black
- 4 – 303-0043-0 ¼” SAE Flat Washers Black
- 4 – 303-0044-0 #10 SAE Flat Washers Black
- 4 – 303-0042-0 M4 Black Flat Washer
- 1 – 401-0059-0 Digital Photo Frame
- 1 – 401-0060-0 Digital Photo Frame Power Cord
- 1 – 401-0061-0 Digital Photo Frame Remote Control
- 1 – 401-0062-0 Digital Photo Frame Data Cord
- 1 – 210-0359-0 Digital Photo Frame Installation Instructions

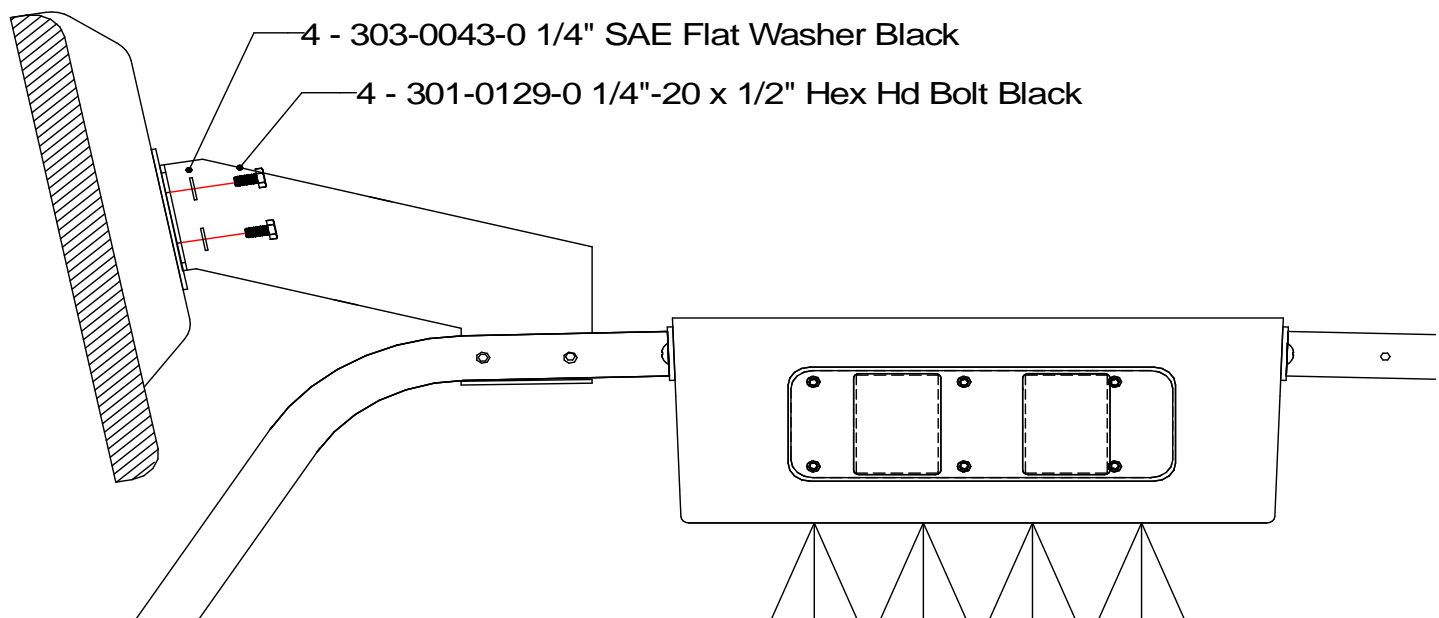
2.) Attach the G.S. monitor mounting plate to the back of the digital photo frame using the four washers and screws.



3.) Attach the right and left tube mounting brackets to the tubes.



4.) Attach the Digital Photo Frame to the right and left tube mounting brackets.



5.) Remove the cover on the overhead display and the side access door on the air hockey game. Locate the power cable and the RS232 DB9 cable that came with the monitor. Do not connect these to the monitor at this time. Push these two cables through the 1" opening in the overhead display and into the tube assembly. Continue threading these cables through the tube until they come out inside of the air hockey game above the side access door opening. Connect the power cable for the monitor to the power cable hanging on the right partition inside of the access door opening. Disconnect the remote scoring cable from the lower right connector on the PCB board. Connect the monitor's RS232 cable to this same connector on the lower right side of the air hockey PCB board then reconnect the remote scoring harness onto this monitor scoring cable. Once this is done pull the cables back up into the tube far enough so that you can connect them to the back of the monitor. Secure these cables to one of the tubes with the tie-wraps provided.

6.) Insert the SD memory card into the back of the monitor. Return power to the game and test.